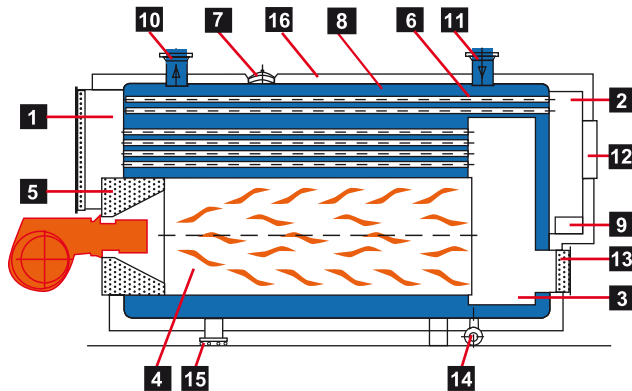
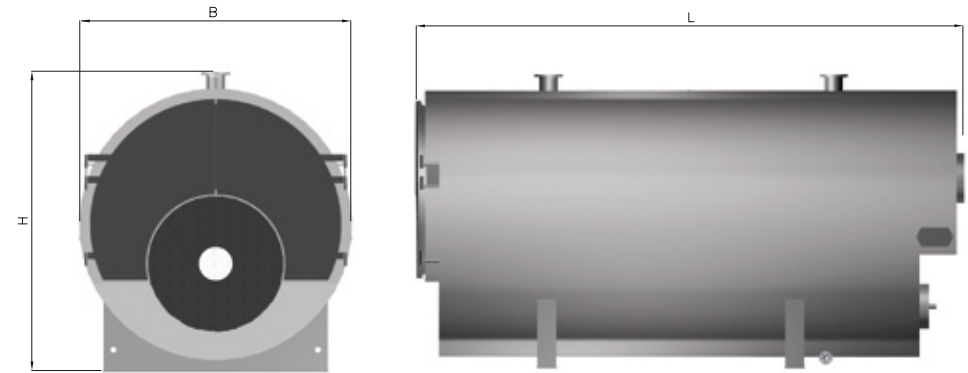
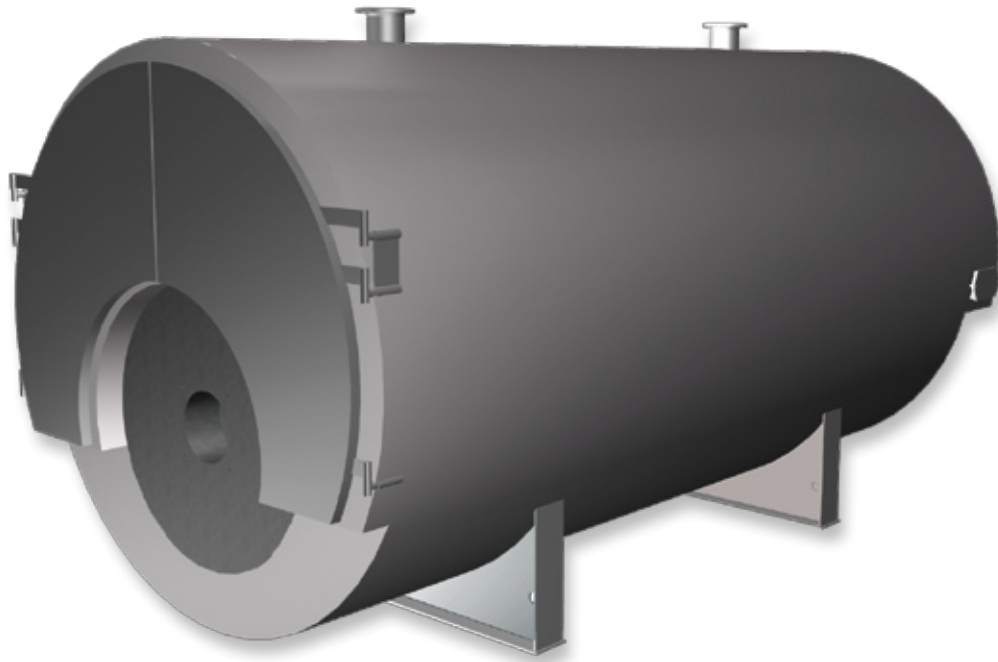


VAPOR HOT WATER BOILERS – TECHNICAL SPECIFICATIONS



- 1 Front reversal chamber
- 2 Flue gas chamber
- 3 Combustion chamber
- 4 Furnace
- 5 Burner plate with refractory
- 6 Smoke tubes
- 7 Manhole
- 8 Water space
- 9 Cleaning hatch
- 10 Output connection
- 11 Input connection
- 12 Flue gas duct connection
- 13 Drainage
- 14 Explosion/cleaning hatch
- 15 Support
- 16 Insulation

VAPOR TTKV BOILERS

Type	Power MW	Normal water capacity m ³	Weight t	Main dimensions mm		
				L	B	H
TTKV-10-10	1,0	3,9	4,7	4040	1850	2100
TTKV-15-15	1,5	4,6	5,8	4280	1970	2200
TTKV-20-20	2,0	5,0	7,4	4530	2130	2350
TTKV-25-25	2,5	6,6	8,7	4670	2290	2500
TTKV-30-30	3,0	6,9	9,4	4780	2440	2650
TTKV-35-35	3,5	7,5	9,9	5080	2440	2650
TTKV-40-40	4,0	8,6	11,9	5280	2540	2750
TTKV-50-50	5,0	10,4	14,1	5530	2700	2920
TTKV-60-60	6,0	12,5	16,5	6230	2790	3000
TTKV-70-70	7,0	14,1	17,4	6470	2810	3120
TTKV-80-80	8,0	15,4	19,2	6470	2980	3200
TTKV-100-100	10,0	20,4	24,3	6630	3350	3550
TTKV-120-120	12,0	22,5	26,5	7020	3470	3650
TTKV-150-150	15,0	29,6	36,9	7670	3650	3900
TTKV-200-200	20,0	38,8	45,5	6950	4370	4700

Technical specifications, including insulation and masonry, pressure class 10 bar



VAPOR
BOILERS SINCE 1959

VAPOR FINLAND OY • Messipojantie 20, FI-90520 OULU, FINLAND • Tel. +358 8 561 2500, faX +358 8 561 2511
vapor@vapor.fi • www.vaporfinland.com